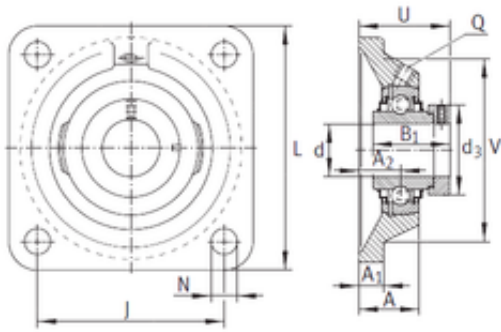


### Bearing No. RCJ60-FA164



d	60 mm
V	150 mm
U	80,9 mm
A	46 mm
J	143 mm
L	175 mm
N	18 mm
d3	84 mm
A1	16 mm
B1	77,9 mm
A2	34 mm
Weight	4,26 Kg
Thread (Q)	Rp1/8
Bearing number	RCJ60-FA164
Bore Diameter (mm)	60
Basic dynamic load rating (C)	52 kN