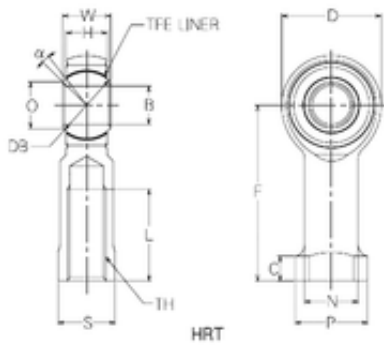


### Bearing No. HRT16



D	39 mm
W	19 mm
d	16 mm
P	27 mm
O	19,2 mm
B	16 mm
C	9,5 mm
F	63,5 mm
H	15,25 mm
L	35 mm
N	22 mm
S	23 mm
Db	26,99 mm
Angle	10 °
Thread (TH)	M16x2,0
Bearing number	HRT16
Bore Diameter (mm)	16