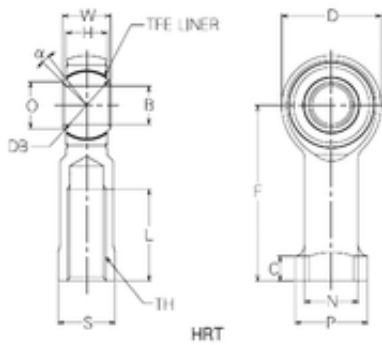


Bearing No. HRT17



D	41 mm
W	20 mm
d	17 mm
P	28 mm
O	20,4 mm
B	17 mm
C	9,5 mm
F	68 mm
H	15,25 mm
L	37 mm
N	23 mm
S	24 mm
Db	28,58 mm
Angle	12 °
Thread (TH)	M16x1,5
Bearing number	HRT17
Bore Diameter (mm)	17