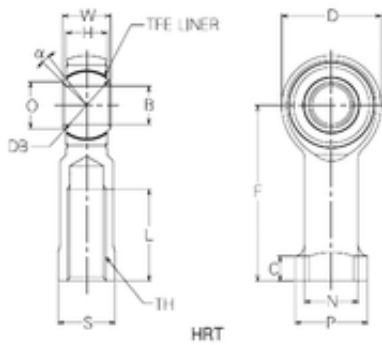


Bearing No. HRT20



D	45 mm
W	22 mm
d	20 mm
P	30 mm
O	22,9 mm
B	20 mm
C	10 mm
F	76 mm
H	16,3 mm
L	41 mm
N	25 mm
S	26 mm
Db	31,75 mm
Angle	13 °
Thread (TH)	M20×1,5
Bearing number	HRT20
Bore Diameter (mm)	20