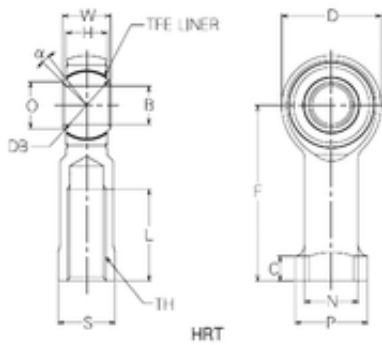


Bearing No. HRT25



D	70 mm
W	35 mm
d	25 mm
P	50 mm
O	32,3 mm
B	25 mm
C	14 mm
F	105 mm
H	25,3 mm
L	54 mm
N	42 mm
S	43 mm
Db	47,62 mm
Angle	15 °
Thread (TH)	M24x2,0
Bearing number	HRT25
Bore Diameter (mm)	25