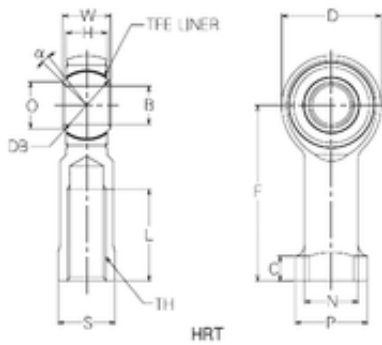


### Bearing No. HRT30



D	78 mm
W	37 mm
d	30 mm
P	60 mm
O	40,4 mm
B	30 mm
C	16 mm
F	120 mm
H	26,3 mm
L	62 mm
N	48 mm
S	51 mm
Db	54,77 mm
Angle	14 °
Thread (TH)	M30x2,0
Bearing number	HRT30
Bore Diameter (mm)	30