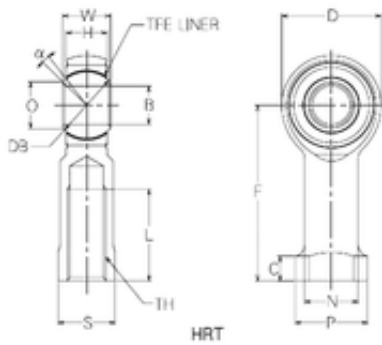


Bearing No. HRT4



D	18 mm
W	9,5 mm
d	4 mm
P	11 mm
O	5,8 mm
B	4 mm
C	3,5 mm
F	32 mm
H	7,75 mm
L	16 mm
N	8,5 mm
S	10 mm
Db	11,11 mm
Angle	16 °
Thread (TH)	M4x0,7
Bearing number	HRT4
Bore Diameter (mm)	4