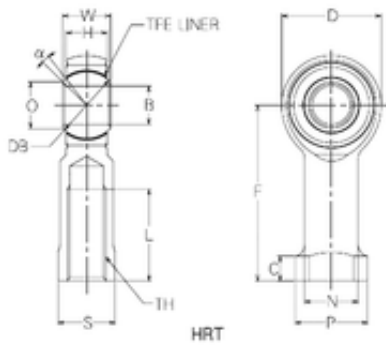


Bearing No. HRT6



D	20,5 mm
W	11 mm
d	6 mm
P	15 mm
O	7,8 mm
B	6 mm
C	4,5 mm
F	37 mm
H	8,75 mm
L	19 mm
N	10,8 mm
S	12 mm
Db	13,49 mm
Angle	15 °
Thread (TH)	M6×1,0
Bearing number	HRT6
Bore Diameter (mm)	6