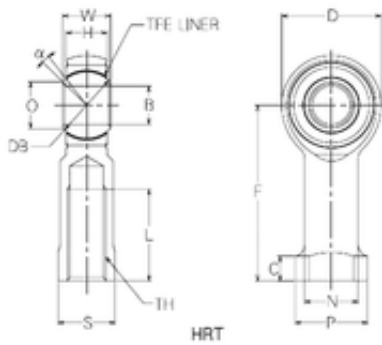


Bearing No. HRT8



D	23 mm
W	11 mm
d	8 mm
P	17 mm
O	10,9 mm
B	8 mm
C	6,5 mm
F	41 mm
H	8,25 mm
L	22 mm
N	12,5 mm
S	14 mm
Db	15,48 mm
Angle	14 °
Thread (TH)	M8x1,25
Bearing number	HRT8
Bore Diameter (mm)	8