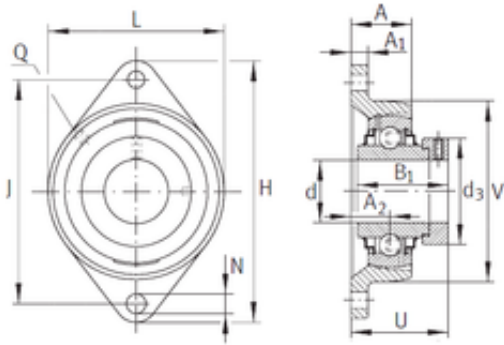


Bearing No. RCJT7/8



d	22,225 mm
V	70,993 mm
U	45,999 mm
A	27,508 mm
B	44,501 mm
H	124,993 mm
J	99,009 mm
L	70,993 mm
N	11,506 mm
d3	37,49 mm
A1	11,989 mm
A2	18,999 mm
Thread (Q)	1/8 NPT
Bearing number	RCJT7/8
Bore Diameter (mm)	22,225