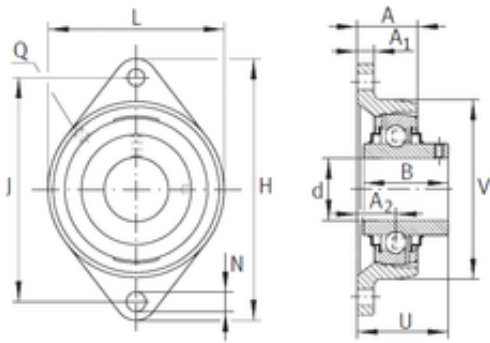


Bearing No. RCJTY1



d	25,4 mm
V	70,993 mm
U	38,811 mm
A	27,508 mm
B	34,112 mm
H	124,993 mm
J	99,009 mm
L	70,993 mm
N	11,506 mm
A1	11,989 mm
A2	18,999 mm
Thread (Q)	1/8 NPT
Bearing number	RCJTY1
Bore Diameter (mm)	25,4