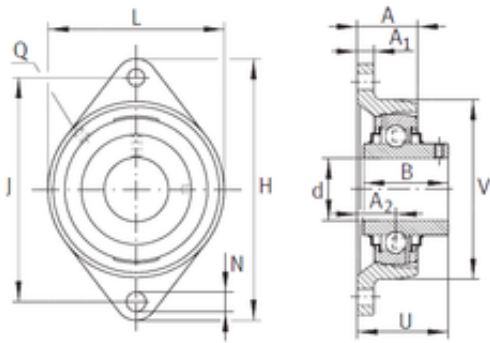


Bearing No. RCJTY1-7/16



d	36,513 mm
V	92,507 mm
U	46,406 mm
A	34,493 mm
B	42,901 mm
H	156,007 mm
J	129,997 mm
L	92,507 mm
N	13,995 mm
A1	13,995 mm
A2	21,006 mm
Thread (Q)	1/8 NPT
Bearing number	RCJTY1-7/16
Bore Diameter (mm)	36,513