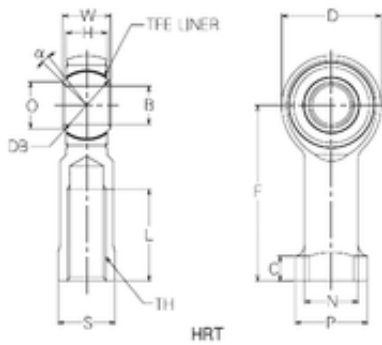


### Bearing No. HRT10



D	26 mm
W	12,5 mm
d	10 mm
P	19 mm
O	12,2 mm
B	10 mm
C	6,5 mm
F	46 mm
H	10,75 mm
L	24 mm
N	14 mm
S	15 mm
Db	17,46 mm
Angle	8 °
Thread (TH)	M10×1,5
Bearing number	HRT10
Bore Diameter (mm)	10