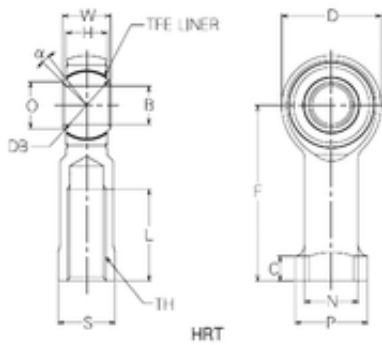


### Bearing No. HRT12



D	34 mm
W	16 mm
d	12 mm
P	24 mm
O	15,4 mm
B	12 mm
C	6,5 mm
F	57 mm
H	13,25 mm
L	32 mm
N	18,5 mm
S	20 mm
Db	22,22 mm
Angle	10 °
Thread (TH)	M12x1,75
Bearing number	HRT12
Bore Diameter (mm)	12