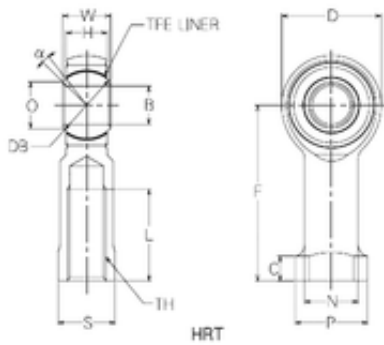


### Bearing No. HRT14



D	36 mm
W	17 mm
d	14 mm
P	24 mm
O	18,9 mm
B	14 mm
C	7,5 mm
F	60 mm
H	14,25 mm
L	33 mm
N	19 mm
S	20 mm
Db	25,4 mm
Angle	8 °
Thread (TH)	M14x2,0
Bearing number	HRT14
Bore Diameter (mm)	14