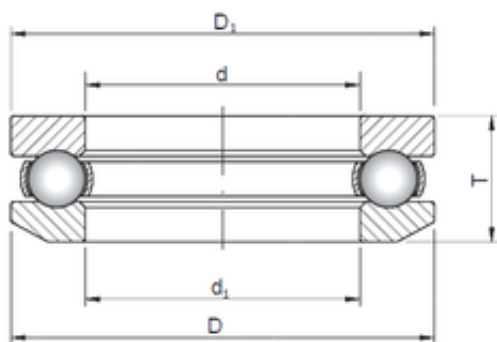


Bearing No. 53207



d	35 mm
D	62 mm
T	19,9 mm
d1	37 mm
D1	62 mm
Weight	0,22 Kg
Bearing number	53207
Bore Diameter (mm)	35
Outer Diameter (mm)	62
(Grease) Lubrication Speed	2900 r/min
Basic dynamic load rating (C)	39,2 kN
Basic static load rating (C0)	78,2 kN