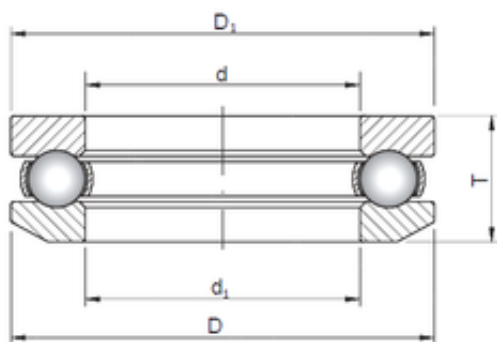


Bearing No. 53213



d	65 mm
D	100 mm
T	28,7 mm
d1	67 mm
D1	100 mm
Weight	0,75 Kg
Bearing number	53213
Bore Diameter (mm)	65
Outer Diameter (mm)	100
(Grease) Lubrication Speed	1900 r/min
Basic dynamic load rating (C)	74,8 kN
Basic static load rating (C0)	189 kN