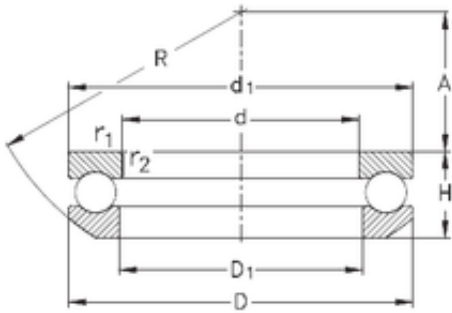


Bearing No. 53213



R	80 mm
d	65 mm
D	100 mm
H	28,7 mm
A	40 mm
d1	100 mm
D1	67 mm
Weight	0,73 Kg
r1 min.	1 mm
r2 min.	1 mm
Size (mm)	65x100x28.7
Width (mm)	28,7
Bearing number	53213
Bore Diameter (mm)	65
Outer Diameter (mm)	100
Basic dynamic load rating (C)	64 kN
Basic static load rating (C0)	150 kN