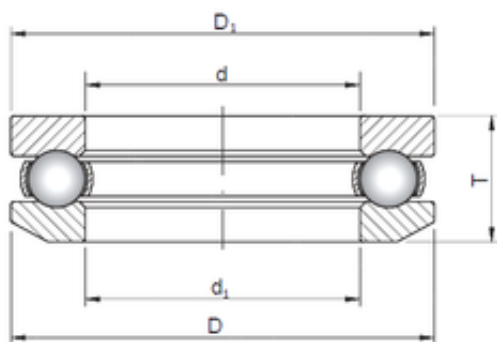


Bearing No. 53224



d	120 mm
D	170 mm
T	40,8 mm
d1	123 mm
D1	170 mm
Weight	2,81 Kg
Bearing number	53224
Bore Diameter (mm)	120
Outer Diameter (mm)	170
(Grease) Lubrication Speed	1100 r/min
Basic dynamic load rating (C)	154 kN
Basic static load rating (C0)	472 kN