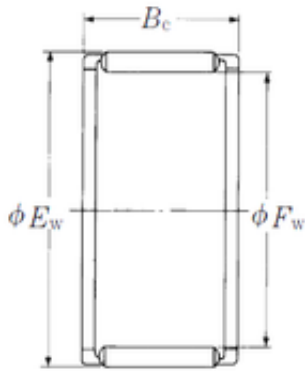


Bearing No. FWF-10511330



Fw	105 mm
Ew	113 mm
Bc	30 mm
Weight	0,185 Kg
Bearing number	FWF-10511330
Bore Diameter (mm)	105
Outer Diameter (mm)	113
Basic dynamic load rating (C)	72,5 kN
Basic static load rating (C0)	193 kN