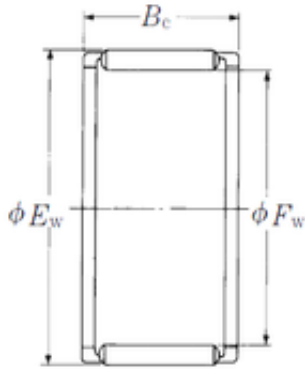


### Bearing No. FWF-11512335



Fw	115 mm
Ew	123 mm
Bc	35 mm
Weight	0,235 Kg
Bearing number	FWF-11512335
Bore Diameter (mm)	115
Outer Diameter (mm)	123
Basic dynamic load rating (C)	92,5 kN
Basic static load rating (C0)	274 kN