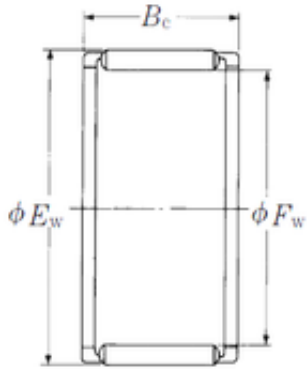


Bearing No. FWF-13514338



Fw	135 mm
Ew	143 mm
Bc	38 mm
Weight	0,275 Kg
Bearing number	FWF-13514338
Bore Diameter (mm)	135
Outer Diameter (mm)	143
Basic dynamic load rating (C)	107 kN
Basic static load rating (C0)	345 kN