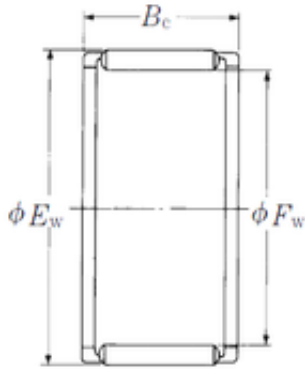


Bearing No. FWF-151917



Fw	15 mm
Ew	19 mm
Bc	17 mm
Weight	0,0074 Kg
Bearing number	FWF-151917
Bore Diameter (mm)	15
Outer Diameter (mm)	19
Basic dynamic load rating (C)	11,2 kN
Basic static load rating (C0)	15,2 kN