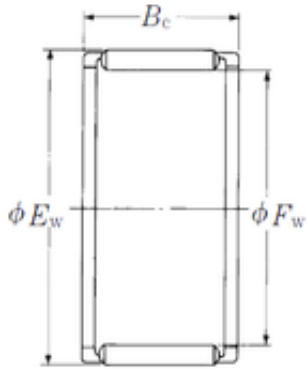


Bearing No. FWF-152121A



Fw	15 mm
Ew	21 mm
Bc	21 mm
Weight	0,014 Kg
Bearing number	FWF-152121A
Bore Diameter (mm)	15
Outer Diameter (mm)	21
Basic dynamic load rating (C)	16,3 kN
Basic static load rating (C0)	18,9 kN