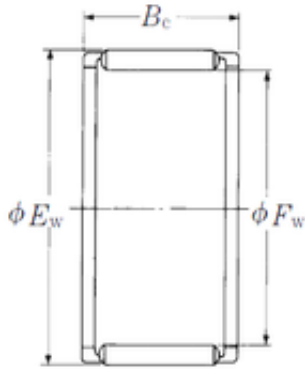


Bearing No. FWF-162126



Fw	16 mm
Ew	21 mm
Bc	26 mm
Weight	0,015 Kg
Bearing number	FWF-162126
Bore Diameter (mm)	16
Outer Diameter (mm)	21
Basic dynamic load rating (C)	20 kN
Basic static load rating (C0)	28,2 kN