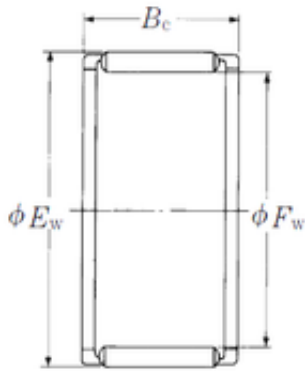


### Bearing No. FWF-172117



Fw	17 mm
Ew	21 mm
Bc	17 mm
Weight	0,0082 Kg
Bearing number	FWF-172117
Bore Diameter (mm)	17
Outer Diameter (mm)	21
Basic dynamic load rating (C)	11,5 kN
Basic static load rating (C0)	16,3 kN