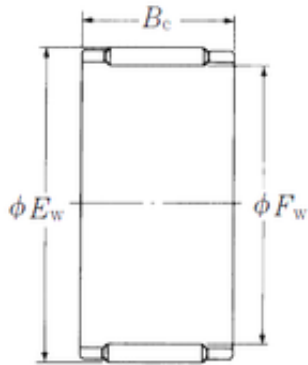


Bearing No. WJC-081008



Fw	12,7 mm
Ew	15,875 mm
Bc	12,7 mm
Weight	0,004 Kg
Bearing number	WJC-081008
Bore Diameter (mm)	12,7
Outer Diameter (mm)	15,875
Basic dynamic load rating (C)	6,35 kN
Basic static load rating (C0)	8,1 kN