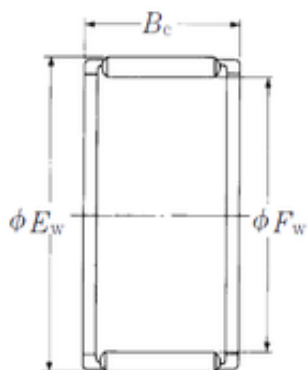


### Bearing No. FWF-253113



Fw	25 mm
Ew	31 mm
Bc	13 mm
Weight	0,017 Kg
Bearing number	FWF-253113
Bore Diameter (mm)	25
Outer Diameter (mm)	31
Basic dynamic load rating (C)	15 kN
Basic static load rating (C0)	19,5 kN