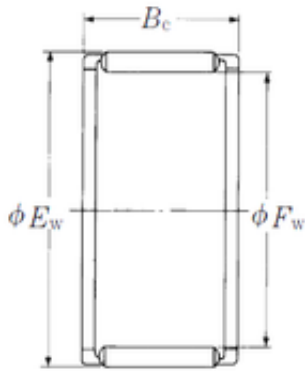


**Bearing No. FWF-263013**



Fw	26 mm
Ew	30 mm
Bc	13 mm
Weight	0,0093 Kg
Bearing number	FWF-263013
Bore Diameter (mm)	26
Outer Diameter (mm)	30
Basic dynamic load rating (C)	10,4 kN
Basic static load rating (C0)	16,2 kN