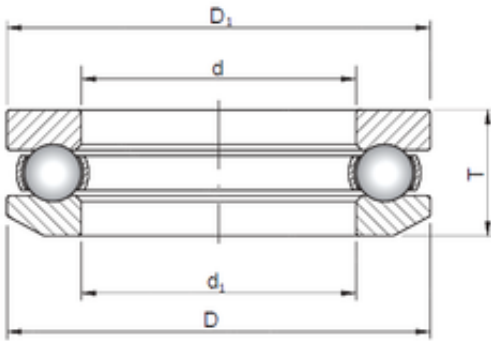


Bearing No. 53412



d	60 mm
D	130 mm
T	54 mm
d1	62 mm
D1	130 mm
Weight	3,44 Kg
Bearing number	53412
Bore Diameter (mm)	60
Outer Diameter (mm)	130
(Grease) Lubrication Speed	1100 r/min
Basic dynamic load rating (C)	201 kN
Basic static load rating (C0)	397 kN