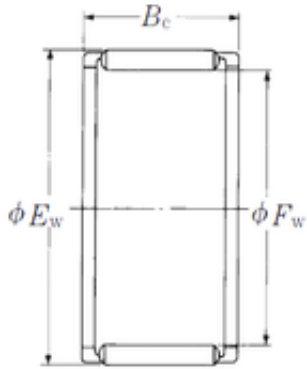


### Bearing No. FWF-455320



Fw	45 mm
Ew	53 mm
Bc	20 mm
Weight	0,05 Kg
Bearing number	FWF-455320
Bore Diameter (mm)	45
Outer Diameter (mm)	53
Basic dynamic load rating (C)	34 kN
Basic static load rating (C0)	55 kN