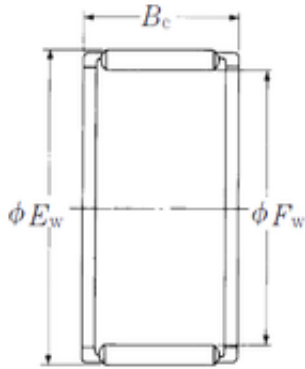


Bearing No. FWJ-364130Z



Fw	36 mm
Ew	41 mm
Bc	30,5 mm
Weight	0,037 Kg
Bearing number	FWJ-364130Z
Bore Diameter (mm)	36
Outer Diameter (mm)	41
Basic dynamic load rating (C)	32 kN
Basic static load rating (C0)	66 kN