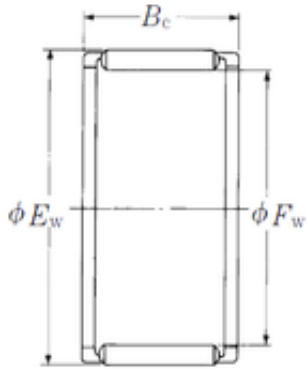


Bearing No. FWJ-455135



Fw	45 mm
Ew	51 mm
Bc	35 mm
Weight	0,061 Kg
Bearing number	FWJ-455135
Bore Diameter (mm)	45
Outer Diameter (mm)	51
Basic dynamic load rating (C)	46 kN
Basic static load rating (C0)	99,5 kN