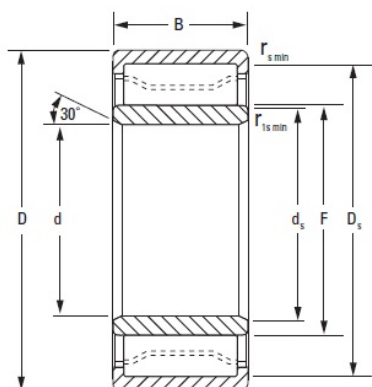


# Cylindrical Roller Radial Bearings/5200, A5200 Metric Series | A/5236/WS



## Bearing No. A/5236/WS

Weight	320.000 mm12.5984 in
Chamfer $r_{s\ min}$	107.950 mm4.2500 in
Static Load Rating $C_0$	78.600 lb
Dynamic Load Rating $C_1^1$	WS
Width B	1200 rpm
O.D. D	1100 rpm
DUR/DOR F/E	2130 kN479000 lbf
Bore d	0.1780
Backing Shaft Diameter $d_s$	1510 kN341000 lbf
Backing Housing Diameter $D_s$	216.441 mm8.5213 in
Type	4.60 mm0.181 in
Number of Lubrication Holes	7.50 mm0.30 in
Lubrication Hole Diameter h	4.0 mm0.160 in