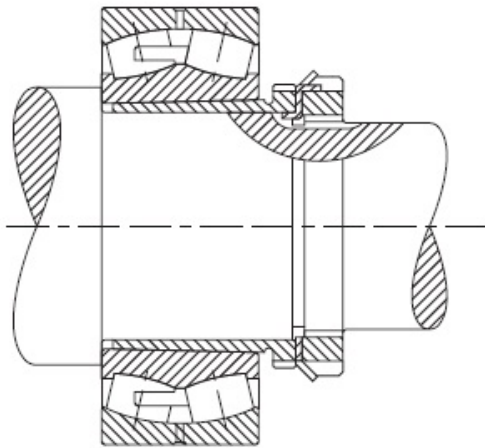


Removable Sleeve, Locknut and Lockwasher | RN/12/SK/6023/N/11/W/11



Bearing No. RN/12/SK/6023/N/11/W/11

Weight	RN-12
Bearing Number	-0.10 mm-0.004 in
Housing Construction	1:12
UPC Code	0.41 lb0.19 Kg
Shaft Size Type	SK-6023
Full Timken Part Number	223K
Locking Style	88.90 mm3.500 in
Y2 - Geometry Factor	65.76 mm2.589 in
Y1 - Geometry Factor	W-11
Shaft Tolerance	N-11
Shaft Size	40.00 mm1.575 in
Pre Install Clearance Min	55 mm2.1654 in
Pre Install Clearance Max	22312K