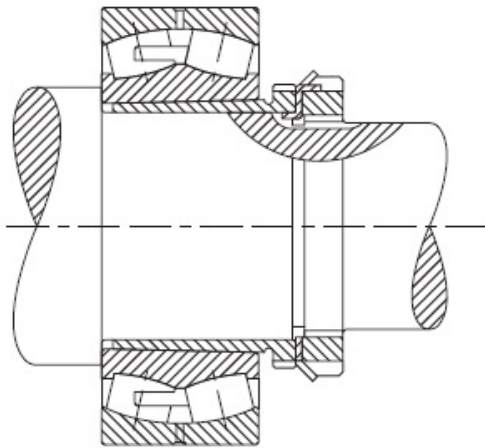


# Removable Sleeve, Locknut and Lockwasher | AN/17/SK/7523/N/13/W/13



**Bearing No. AN/17/SK/7523/N/13/W/13**

Weight	AN-17
Bearing Number	-0.10 mm-0.004 in
Housing Construction	1:12
UPC Code	1.25 lb0.57 Kg
Shaft Size Type	SK-7523
Full Timken Part Number	223K
Locking Style	112.04 mm4.411 in
Y2 - Geometry Factor	83.44 mm3.285 in
Y1 - Geometry Factor	W-13
Shaft Tolerance	N-13
Shaft Size	47.00 mm1.850 in
Pre Install Clearance Min	65 mm2.5591 in
Pre Install Clearance Max	22315K